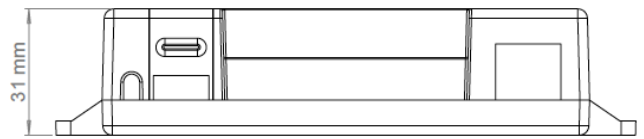
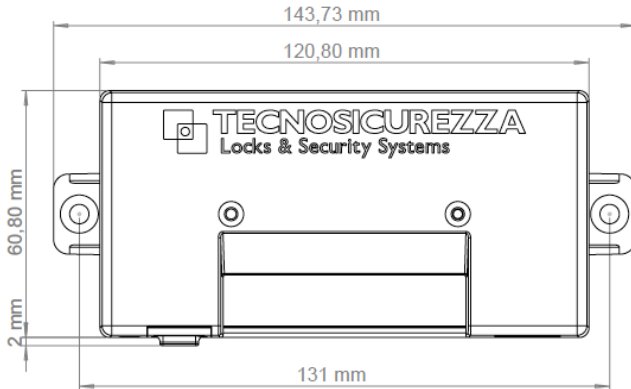
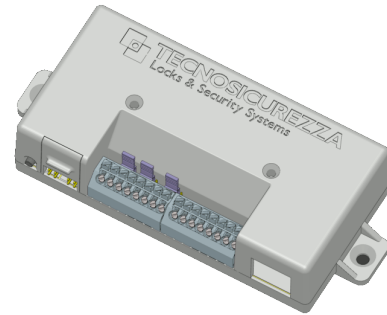


T9355/IP: Input/output interface with ethernet port

T9355/IP includes:

- Plastic box
- Alarm signals terminals
- Ethernet port
- Reset button
- Keypad/lock connectors
- Jumpers NC/NO



For indoor use only.

RS485 PROTOCOL

1. GND
2. RS485 +
3. RS485 -
4. RS485 BUSY

RESET
BUTTON



KEYPAD
& LOCK

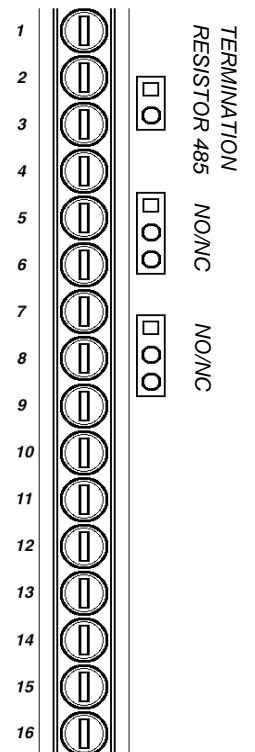


OUTPUTS *

Dry contacts
Normally open/closed
Max 30Vdc , 1A
Max 60Vdc , 300mA

Max 125Vac , 500mA

5. OUTPUT 1 (Silent alarm)
6. OUTPUT 1 (Silent alarm)
7. OUTPUT 2 (Penalty)
8. OUTPUT 2 (Penalty)



INPUT *

Not isolated
Active low
Short circuit between INPUT and GND to activate the signal.
(do not power the Input)
Max 50Vdc , 20mA
Vil Max= 0,5Vdc Vih Min= 3,0Vdc

9. GND (Remote block)
10. INPUT 1 (Remote block)
11. GND (Remotely managed)
12. INPUT 2 (Rem. managed)

VDC OUTPUT

9Vdc OUT, max 100mA

13. GND
14. 9V OUT+

POWER SUPPLY

12Vdc-24Vdc (1A)

15. GND
16. PWR IN +

* Inputs and outputs can be changed by the TechMaster setup software. The values shown inside the brackets must be considered just as factory values.

ETHERNET



The connection and installation of the interface has to be done by qualified personnel properly trained.

RESET PROCEDURE.

- 1) Connect the reset-box to any of the keypad/lock connector on the interface.
- 2) Push and release the reset button. The LED will begin to blink slowly.
- 3) Disconnect the reset-box from the interface.
- 4) Push and release again the reset button. The LED will turn on for a few seconds then it will turn off.
- 5) The interface is now reset and it is ready to be installed on the system.

INSTALLATION PROCEDURE.

Before installing the interface, make sure that no ethernet hub is present in the system of interest. The use of ethernet hub indeed, might cause malfunctions of the interface itself. It is instead allowed using ethernet switches.

- 1) Make sure that the interface is in reset mode.
- 2) Connect the interface to the keypad.
- 3) Open the lock 1 and keep the bolt open.
- 4) Enter in the configuration menu.
- 5) Select 'Install I/O interface' submenu.
- 6) Enter Master code to complete the installation procedure.
- 7) The interface is now installed and ready to work.
- 8) When using the interface in 'RS485 mode', make sure the ID is set correctly.