

Touch Manager

FEATURES

DALLAS KEY READER

Opening and programming through Dallas key:

- programming with key
- reset with key
- opening with key

Red Led and Buzzer

Can be installed in 4 positions

(HH/VH/HL/VL)

Powered by battery pack or through an external power supply

Interlocking compartment with 9V battery contacts for emergency opening

Suitable for vandal proof/access control/safe opening

Mounting base with standard center distance (compatible with keyhole cover)

One hole and one cable for signal and power

Dual mode (through 2 Dallas keys)

Modern design



Not all the features are available in the standard configuration. Please remember to request the desired functions.

SwingBolt



DeadBolt



LatchBolt



Motor LatchBolt Lock



MotorLock



MotorLock Push&Pull



LOCKS

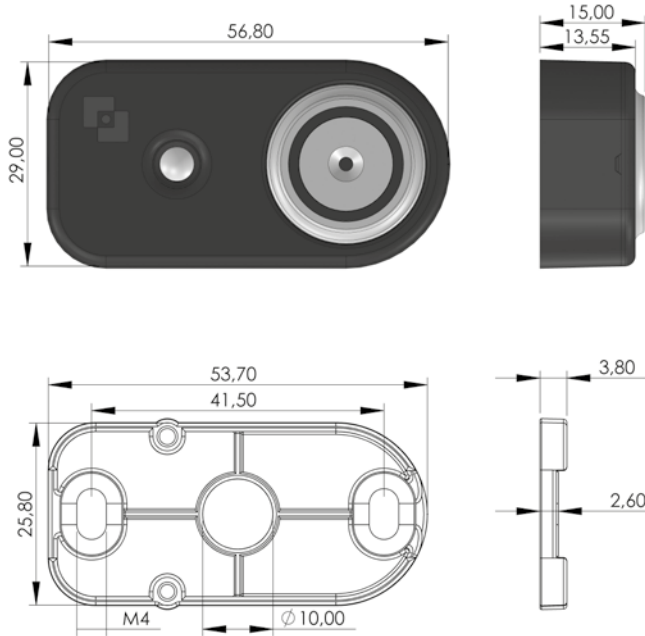
Up to 50 users
Dallas key management
Can be integrated with third party electric locks*

** after technical verification by Tecnosicurezza*

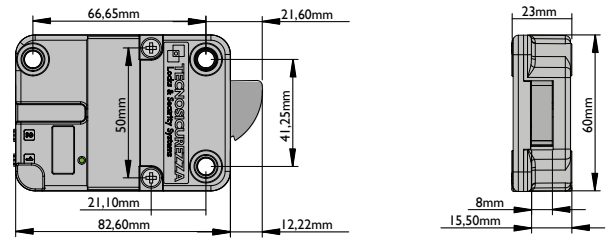


Touch Manager

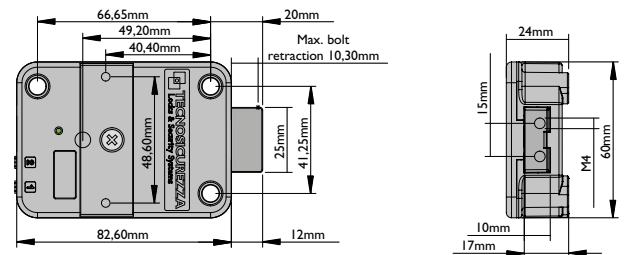
Dallas Key reader



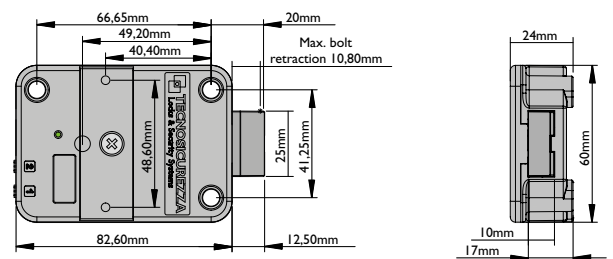
SwingBolt



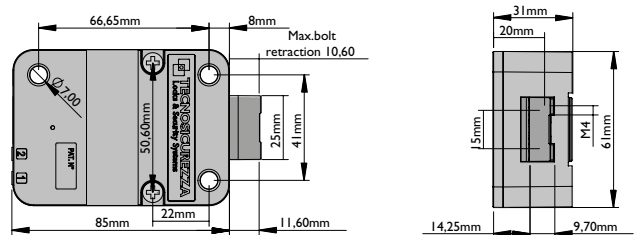
DeadBolt



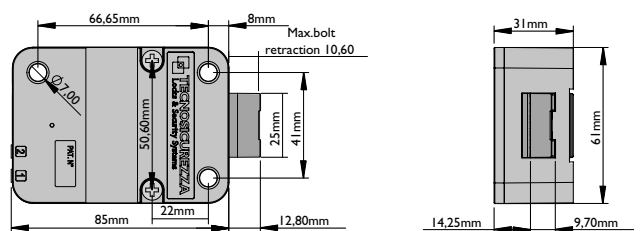
LatchBolt



MotorLock/MotorLock Push&Pull



Motor LatchBolt Lock



v. 2.1-22

GLOBAL HEADQUARTERS

Tecnosicurezza SpA
Via C. Battisti, 276
37057 S. Giovanni Lup. (VR)
ITALY
info@tecnosicurezza.it
www.tecnosicurezza.it

USA HEADQUARTERS

Tecnosicurezza Inc
133, Trade Street-Suite 4
Lexington, KY 40511
USA
info@usatecno.com
www.usatecno.com

SPAIN HEADQUARTERS

Tecnosicurezza SA
C/Menor, 4 - Nave 10, Pol Ind. "La Mina"
28770 Colmenar Viejo
SPAIN
info@tecnosicurezza.es
www.tecnosicurezza.es