

# Touch Manager

## FEATURES

### DALLAS KEY READER

Opening and programming through Dallas key:

- programming with key
- reset with key
- opening with key

Red Led and Buzzer

Can be installed in 4 positions

(HH/VH/HL/VL)

Powered by battery pack or through an external power supply

Interlocking compartment with 9V battery contacts for emergency opening

Suitable for vandal proof/access control/safe opening

Mounting base with standard center distance (compatible with keyhole cover)

One hole and one cable for signal and power

Dual mode (through 2 Dallas keys)

Modern design



*Not all the features are available in the standard configuration. Please remember to request the desired functions.*

### SwingBolt



### DeadBolt



### LatchBolt



### LOCKS

Up to 50 users  
Dallas key management  
Can be integrated with third party electric locks\*

*\* after technical verification by Tecnosicurezza*

### Motor LatchBolt Lock



### MotorLock



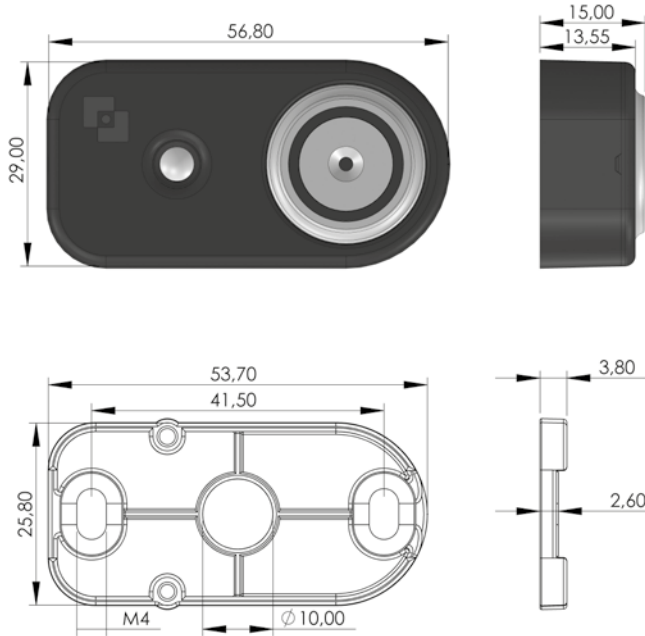
### MotorLock Push&Pull



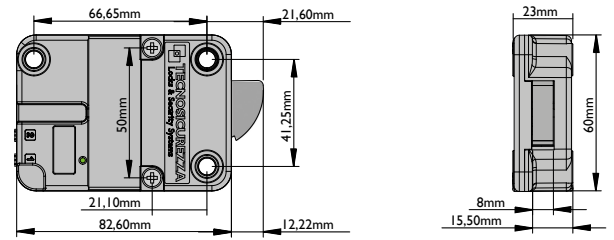


# Touch Manager

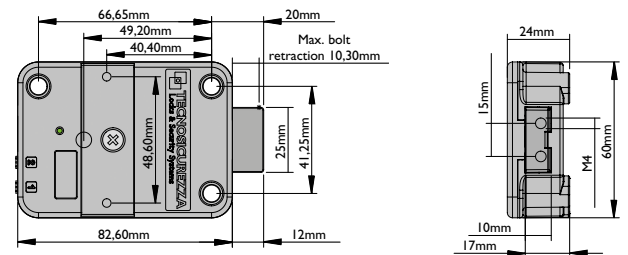
## Dallas Key reader



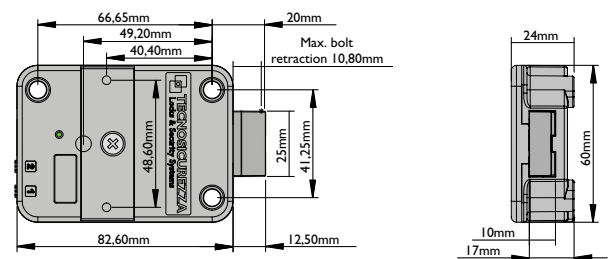
## SwingBolt



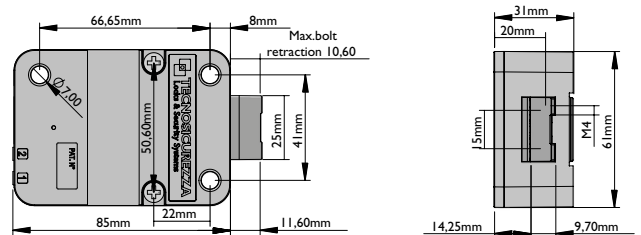
## DeadBolt



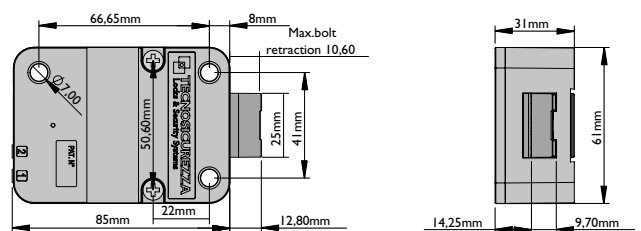
## LatchBolt



## MotorLock/MotorLock Push&Pull



## Motor LatchBolt Lock



v. 2.1-22

### GLOBAL HEADQUARTERS

Tecnosicurezza SpA  
Via C. Battisti, 276  
37057 S. Giovanni Lup. (VR)  
ITALY  
info@tecnosicurezza.it  
www.tecnosicurezza.it

### USA HEADQUARTERS

Tecnosicurezza Inc  
133, Trade Street-Suite 4  
Lexington, KY 40511  
USA  
info@usatecno.com  
www.usatecno.com

### SPAIN HEADQUARTERS

Tecnosicurezza SA  
C/Menor, 4 - Nave 10, Pol Ind. "La Mina"  
28770 Colmenar Viejo  
SPAIN  
info@tecnosicurezza.es  
www.tecnosicurezza.es